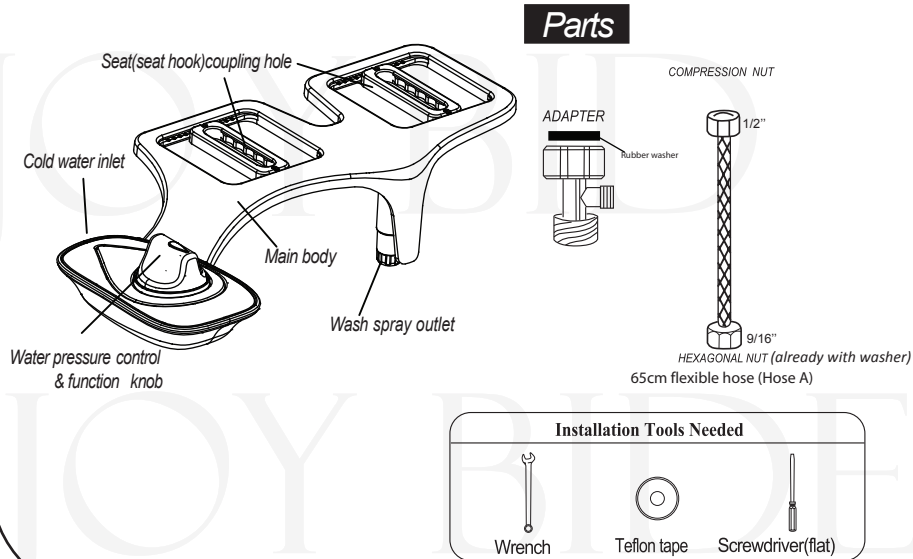


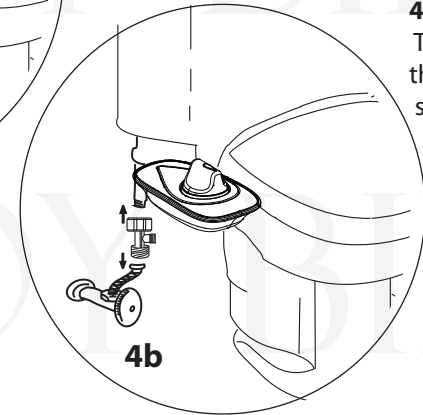
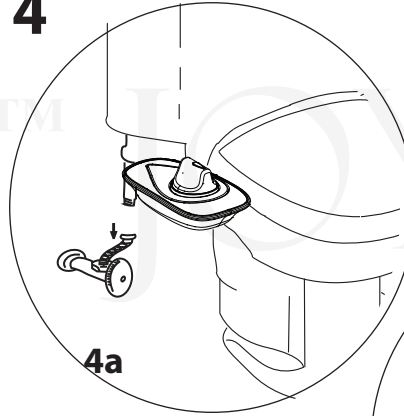
JOY BIDET™ C-2 SC™ Assembly Instruction

1. NAMES AND FUNCTIONS OF PARTS

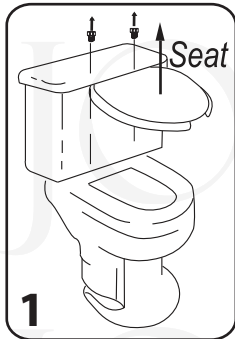


Connecting Water Supply

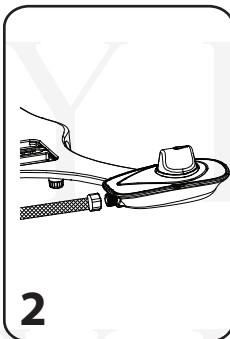
4



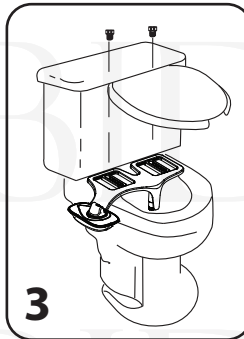
4a: Shut off the water supply. Disconnect the hose connecting the water supply at the toilet tank, replaced by provided 35cm flexible hose (hose B).
4b: Connect the T-adapter to the water supply . shown in figure 4b



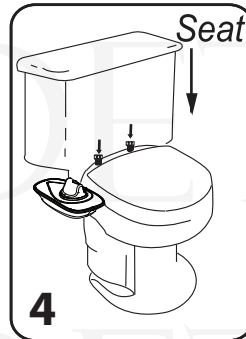
Remove the seat by unscrewing the seat.



Connect the hose A to the bidet, without over tightening it

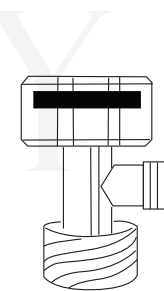
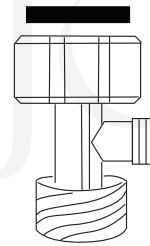


Place the bidet on the toilet. Align the seat coupling holes.



Screw the seat back on to the bidet and the toilet.

5



5a: Please make sure that there is a black rubber washer inserted in top of T-adapter.
5b: If it is not already there, please insert it as shown in figure 5b